

**GPS**  
series

**GPS Series Three Phase Circulation Pumps**  
GPS系列三相三速热水循环泵

**安徽新沪屏蔽泵有限责任公司**

ANHUI SHINHOO CANNED MOTOR PUMP CO.,LTD.

地址(Add) :安徽省合肥市高新区柏堰科技园铭传路780号  
No.780, Ming Chuan Road, High-Tech Zone ,Hefei, Anhui, P.R.China  
网址(Http):www.shinhoodump.com

国内贸易 P.R.China  
电话(Tel): +86-551-62379800  
传真(Fax): +86-551-62379800

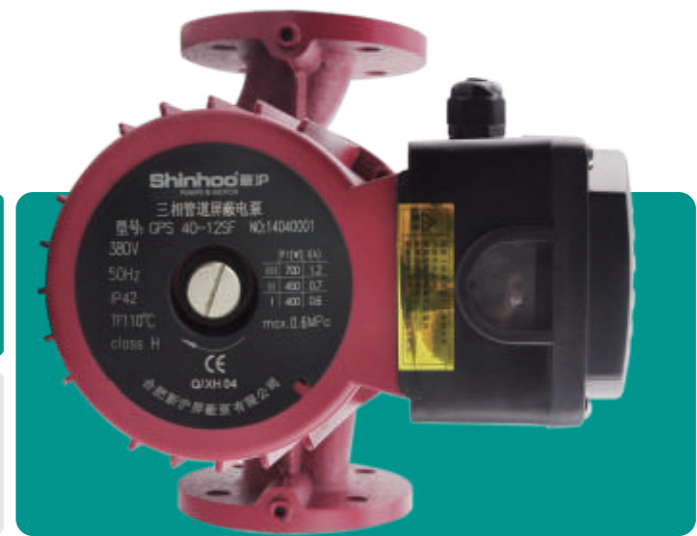
国际贸易 International  
电话(Tel): +86-551-62379803  
传真(Fax): +86-551-62379801

企业在线 Company Online  
阿里巴巴: <http://shxh88.1688.com/>  
Alibaba: <http://shxinhu.en.alibaba.com/>

注: 本公司保留对该样本的解释权和修改权 (Our company has the finally right for the instruction of explanation and amendment.)

采用生态纸印刷  
Adopt ecotypic paper to print  
The 2nd Edition 2017.09.20

**Shinhoo®新沪**  
PUMPS & MOTOR



新沪

XINHOO®

Shinhoo  
PUMPS & MOTOR

GPS系列三相三速热水循环泵

GPS SERIES THREE PHASE CIRCULATION PUMPS

**安徽新沪屏蔽泵有限责任公司**

ANHUI SHINHOO CANNED MOTOR PUMP CO.,LTD.

# 新沪全心全意做好泵

给系统一颗强劲的心

## 目录 Contents

- 01/ 公司简介 Company Profile
- 03/ 产品简介 Production Feature
  - 主要零部件材质表 Material Table
  - 应用场合 Application
  - 工作条件 Working Conditions
- 04/ 产品安装 Installation
  - 型号说明 Type Key
- 05/ 产品参数对照表 Parameter Table
  - 型谱图 Type Spectra
- 06/ 爆炸图 Explosive Drawing
- 07/ 技术数据 Technical Data



## ■ 公司简介

安徽新沪屏蔽泵有限责任公司是浙江大元泵业股份有限公司（上交所：603757）的全资子公司，专注于屏蔽泵的研发 & 制造。

2007年，为满足日益增长的市场需求，新沪公司在中国安徽省合肥市国家级高新区斥资3亿元人民币开始兴建占地10万平方米的大型生产基地，并于2009年年底正式投产。

新沪公司严格按照ISO9001:2015质量管理体系、ISO14001:2015环境管理体系、OHSAS18001:2007职业健康安全管理体系标准建立起研发、生产、销售和服务体系。依据不同国家和地区的法规，相关产品相继通过了CCC、GS、UL、CE等多项认证以及RoHS、REACH、EEI等多项检测，以确保产品安全、稳定、可靠、耐用，并符合当地的法律法规要求。物力的保障、制度的完善、人才的汇聚，奠定了新沪公司的核心竞争力和可持续发展空间。

新沪公司作为全国泵标准化技术委员会委员单位、全国旋转电机标准化技术委员会起重冶金和屏蔽电机标准化分技术委员会委员单位，参与起草了一系列屏蔽泵和屏蔽电机标准。新沪矢志不渝的坚持以客户需求为导向的产品研发和质量提升，为不同流体介质无泄漏输送的一般性和特殊性要求提供专业的解决方案。新沪产品远销欧美亚多个国家和地区，广泛应用于化工、石化、石油精炼、纺织、机车、中央空调、航空航天、军工、核电、空调系统冷暖循环供水、建筑、环保、暖通、新能源等诸多领域。可靠的产品品质，贴心的售后服务，为新沪赢得了广泛美誉。

新沪公司愿与您诚信携手、共创辉煌。



## ■ Company Profile

Introduction of Anhui Shinhoo Canned Motor Pump Co.,Ltd. (Shinhoo)

As a wholly-owned subsidiary of Zhejiang Dayuan PumpsIndustrial Co., Ltd. ( Shanghai Stock Exchangestock code: 603757) , Shinhoo is specialized in canned motor pump Manufacturing.

In order to satisfy the rising market demand, in 2007 our large production base was constructed with the total investment of 300 million Chinese Yuan in National Hi-Tech Developing Zone in Hefei, Anhui Province, China. In the end of 2009, our new plant with the floor area of 100,000 Square meters started running.

Based on the standard of ISO 9001:2015 Quality management system, ISO14001:2015 Environment management system and OHSAS18001:2007Occupation Health and Safety Management System, Shinhoo established a complete set of design, producing, marketing and service system. As required by different countries and areas, our related products successfullyobtained certifications such as CCC, GS, UL and CE as well as passed required tests such as RoHS, REACH and EEI. All of these ensured the safety, stability, reliability, durability and legality of our products in the market. We have formed our own core competitiveness as well as the space for sustainable development with sufficient material resources, reinforced regulation system and high tech talents we gathered.

As amember units of national pump standardization technical committee as well as Crane, Metallurgical Motors and Canned Motors standardization technical committeeof national electric rotating machinery standardization technicalcommittee,we participated drafting work of a series of standards regarding canned motor and canned motor pumps. We are committed to product research and development as well as quality promotion with orientation of customers' requirement. We offer professional solutions for general and special requirements regarding non-leakages delivery of various kinds for fluid. Our products are sold abroad to many countries in America, Europe, Asia and other areas being widely used in chemical industry, petrification, petroleum refining, textile industry, locomotive, central air conditioning, aerospace, military industry, nuclear power, air conditioning system cooling and heating circulation, construction, environment protection, ventilation and new energy. With reliable quality and attentive service, we have gained a high reputation in the market.

We sincerely hope to cooperate with you for a splendid future together.

## ■ 产品简介 Production Feature

新沪GPS系列产品具有三档调速功能，用户可进行档位切换以便适应不同的使用条件。具有高效节能、低噪音、寿命长、安全无泄漏、维修方便等特点。

Xinhu GPS series is three phase circulation pump provided with 3-speed control function, which allow the operator to shift speed and meet the requirements of different using conditions. It is featured by high cost-efficiency ratio, low noise, long service life, safe and leakage-free, easy for maintenance.

## ■ 主要零部件材质表 Material Table

序号 No.	零件名称 Name	材质 Material
1	泵体 Pump Body	铸铁/铜 Cast iron/Brass
2	叶轮 Impeller	工程塑料/不锈钢 Engineering Plastic/Stainless Steel
3	轴 Shaft	陶瓷/不锈钢 Ceramic/ Stainless Steel
4	轴承座 Bearing Base	不锈钢 Stainless Steel
5	推力轴承 Thrust Bearing	浸渍石墨/碳化硅 Impregnated Carbon/ Silicon Carbide
6	轴承 Bearing	陶瓷/浸锑石墨 Ceramic/ Baptist Antimony Graphite
7	推力轴承座 Base Of Thrust Bearing	不锈钢 Stainless Steel
8	屏蔽套 Shie Cartridge	不锈钢 Stainless Steel

## ■ 应用场合 Application

城市公寓、市郊别墅、住宅供水增压、冷却系统和空调系统里的液体循环、锅炉太阳能供水等不同领域。

Forwater pressure boosting in household like apartment, villa, residences, cooling or air-conditioning system internal circulation, and boiler and solar system ,etc.

## ■ 工作条件 Working Conditions

用于输送稀薄、清洁、非腐蚀性和非易爆的液体，且不含任何固体颗粒、纤维或矿物油。不得输送柴油、汽油等的易燃品。

It is designed to delivery clean and rarefied fluid, non-corrosive, non-explosive and does not contain and solid particles, fibers, or mineral oil. It is strictly forbidden to transfer flammable liquid, like diesel and gasoline.

环境条件Ambient Conditions: 0℃—40℃, 无灰尘的干燥场合 Dry and free from dust

输液温度 Liquid temperature: 2℃—110℃

最大承压Max. Pressure(Bar): 0.6/1.0MPa

额定电压Rated Voltage: 3\*220V/ 3\*380V

频率Frequency : 50HZ

## ■ 产品安装 Installation

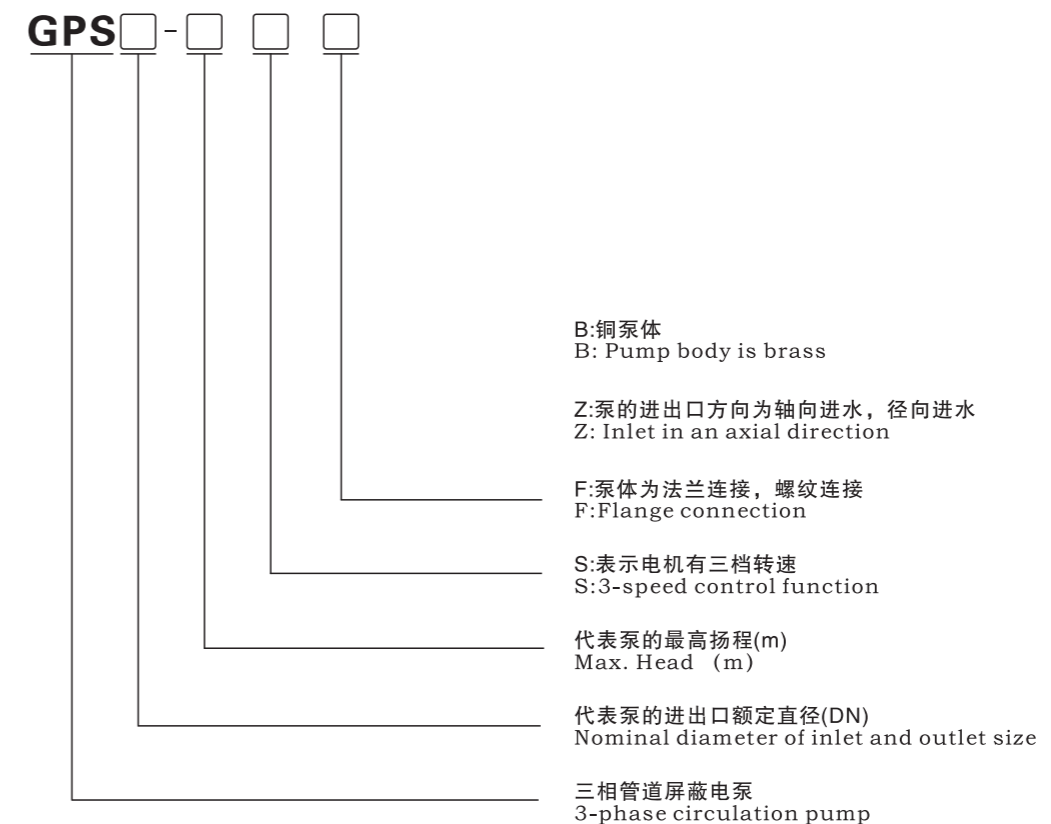
泵在安装时必须保证电机轴与地平面水平。在启动时，应拆下位于电机顶部的放气螺钉，使泵内气体顺利排出。避免水泵在缺水状态下运行。

Pump must be installed with shaft in a horizontal position. When starting the pump, loosen the deflating screw on the top of the motor to release the internal air. It is strictly required not to avoid dry-running the pump.

## ■ 型号说明 Type Key

泵的型号有大写拉丁字母和阿拉伯数字等构成，其意义如下：

Pump model is named by Latin letters and number 0-9.In general, pump is cast iron casing, inlet in a radial direction, with threaded inlet& outlet connection.Any alteration will be labeled by particular letter,namely.



型号示例：GPS65-12SF,表示具有三档转速，最高扬程为12米的三相管道屏蔽电泵，泵的进出口径为65mm。泵体材质为铸铁。

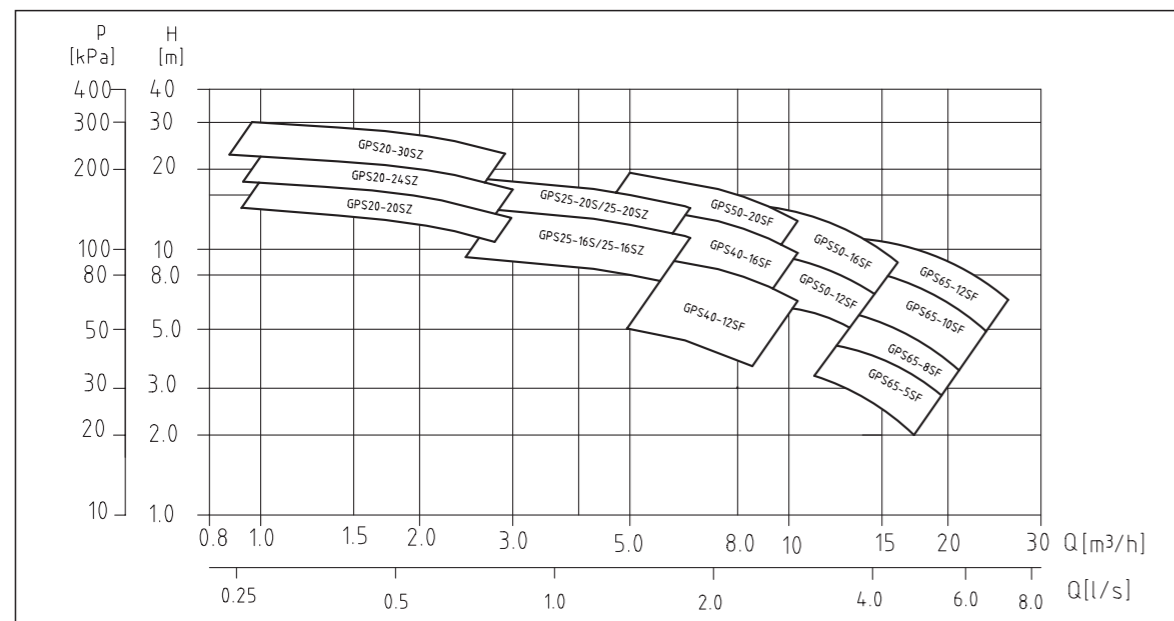
For example, GPS65 -12SF is a 3-phase circulation pump, 65mm inlet & outlet size, Max. head is 12m, 3-speed function, with Flange connection.

## 产品参数对照表 Parameters Table

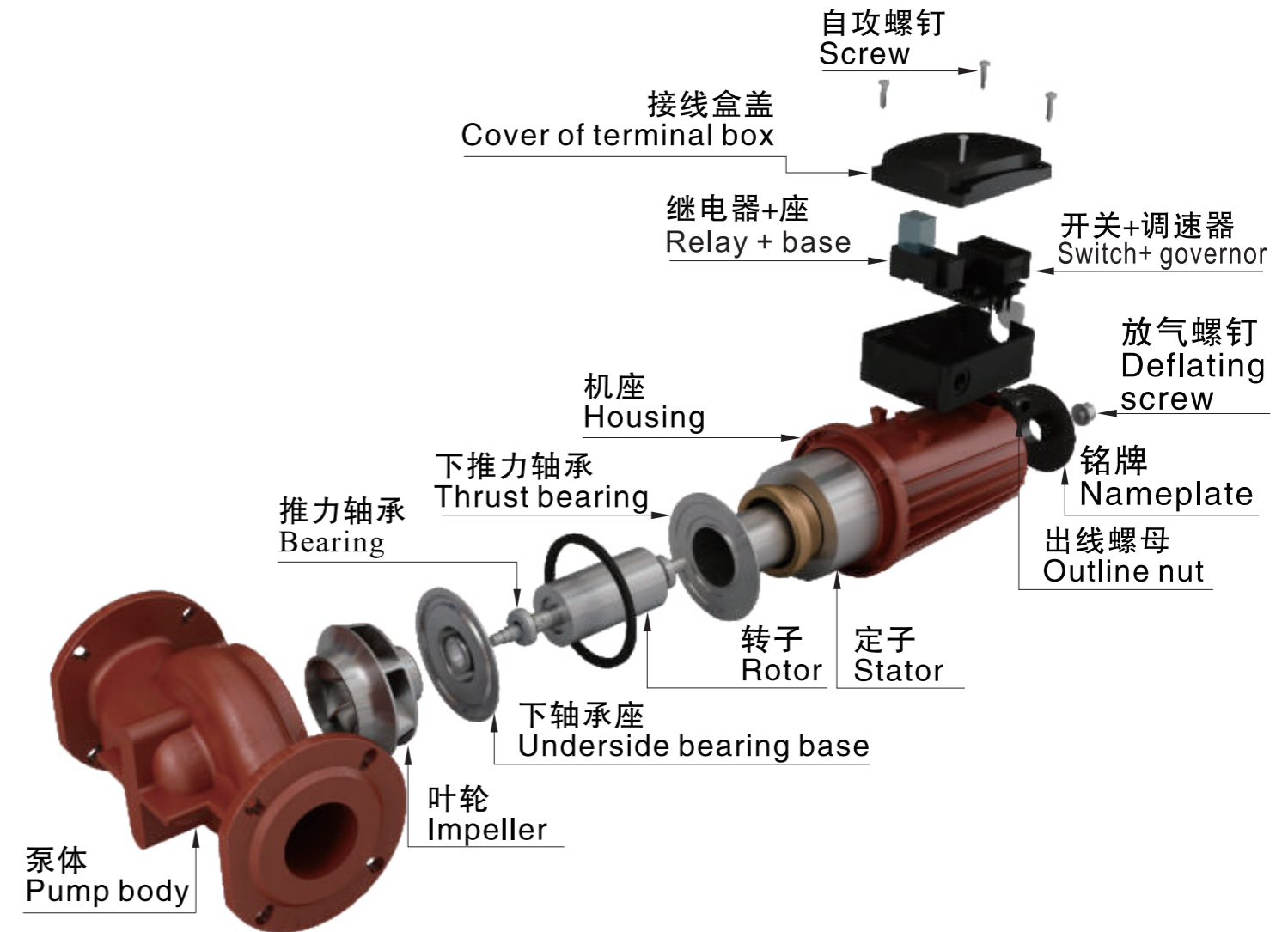
产品型号 Model	功率 Power (W)	规格 Specifications	额定电流 Rated Current (A)	额定流量 The rated flow(m <sup>3</sup> /h)	额定扬程 Rated head(m)	泵体材质 Material			
						铸铁 Cast Iron	铜材 Copper		
GPS40-12SF	700/ 450/ 400	220V/50Hz	2.3/1.4/1.2	8	8	●			
GPS20-20SZ				4	15	●	●		
GPS25-16S/SZ				5	12.5	●			
GPS65-5SF	400	380V/50Hz	1.3/0.8/0.7	20	3	●			
GPS65-8SF				20	5	●			
GPS20-24SZ	1000/ 700/ 600	220V/50Hz	2.8/2.1/1.8	4	18	●	●		
GPS25-20S/SZ				5	16	●			
GPS40-16SF				8	12.5	●			
GPS50-12SF	600	380V/50Hz	1.6/1.2/1.0	12.5	8	●			
GPS65-10SF				20	8	●			
GPS50-16SF	1300/	220V/50Hz	4.5/2.9/2.8	12.5	12.5	●			
GPS50-20SF	1000/			8	16	●			
GPS65-12SF	900			380V/50Hz	2.6/1.7/1.6	20	10	●	
GPS20-30SZ						4	24	●	●

备注：“●”图标代表现有产品规格  
Note: ● indicating the model now we have

## 型谱图 Type Spectra

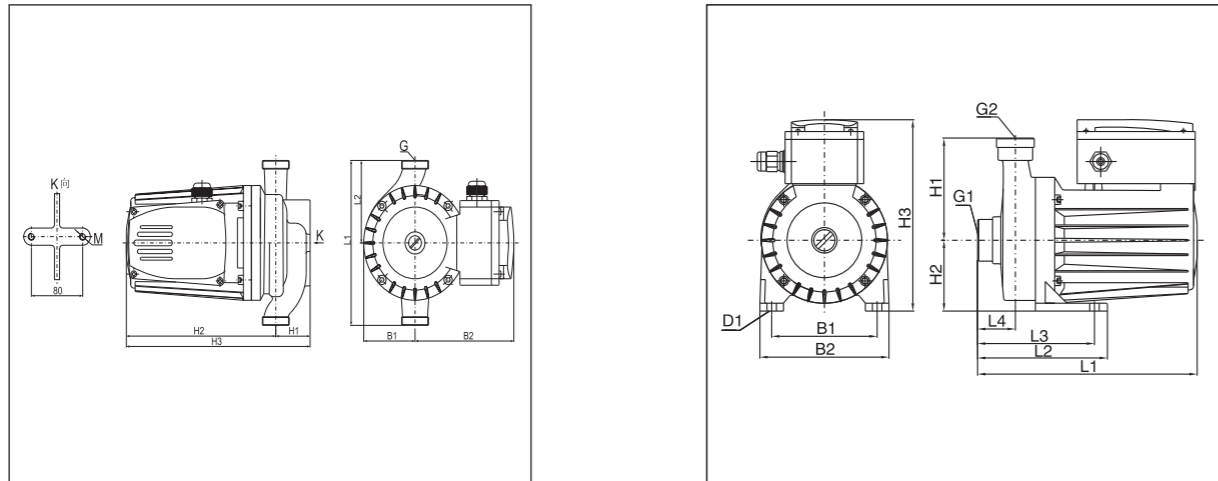


## 爆炸图 Explosive Drawing



GPS25-16S/SZ GPS25-20S/SZ

产品技术数据 Technical Data

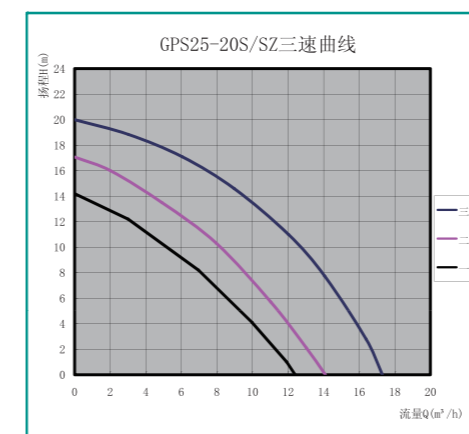
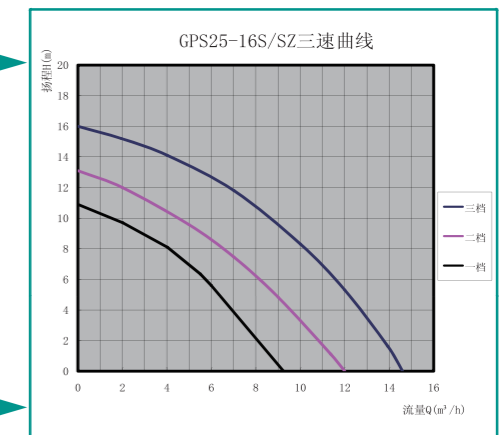


产品型号 Model		GPS25-16S	GPS25-20S	GPS25-16SZ	GPS25-20SZ
安装尺寸 Dimension	H1	54	54	130	130
	H2	232	232	90	90
	H3	286	286	244	244
	L1	230	230	268	268
	L2	115	115	165	165
	L3			148	148
	L4			48	48
	B1	80	80	134	134
	B2	154	154	164	164
	B3	80	80	164	164
	D1	12	12	12	12
重量 Weight(Kg)	净重 N.W.	12.5	13.4	10.6	11.6
	毛重 G.W.	13.6	14.7	12.2	13.2
	体积 Volume(m³)	0.026	0.026	0.026	0.026
配用接头/法兰 Connection/Flange		1 1/2"-1" or 1 1/4"-3/4"			
包装箱尺寸 Package size (mm×mm×mm)		260×260×330 (净空尺寸)		215×165×225 (内纸箱外部尺寸) 440×340×230 (外纸箱净空尺寸)	
		260×260×330 (净空尺寸)		215×165×245 (内纸箱外部尺寸) 440×340×250 (外纸箱净空尺寸)	



GPS25-16S

GPS25-16SZ



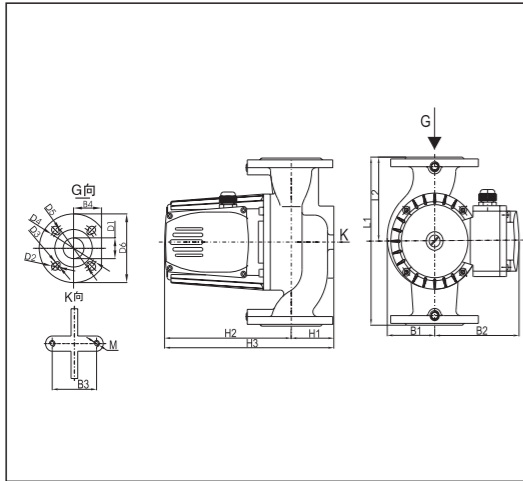
GPS25-20S

GPS25-20SZ



## GPS40-12SF GPS40-16SF

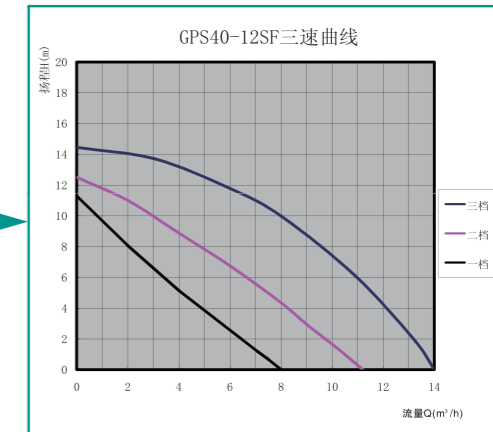
### 产品技术数据 Technical Data



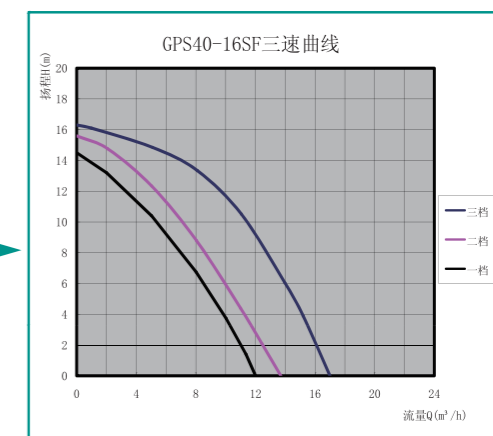
产品型号 Model		GPS40-12SF	GPS40-16SF
安装尺寸 Dimension	H1	65	65
	H2	232	232
	H3	297	297
	L1	250	250
	L2	115	115
	B1	80	80
	B2	154	154
	B3	80	80
	B4	62.5	62.5
	D1	40	40
	D2	17.5	17.5
	D3	13.5	13.5
	D4	110	110
	D5	100	100
D6	150	150	
M	M10	M10	
重量 Weight(Kg)	净重 N.W.	15.3	16.9
	毛重 G.W.	18.4	20
体积 Volume(m <sup>3</sup> )		0.026	0.026
配用接头/法兰 Connection/Flange		DN40	DN40
包装箱尺寸 Package size(mm×mm×mm)		260×260×330 (净空尺寸)	260×260×330 (净空尺寸)



GPS40-12SF

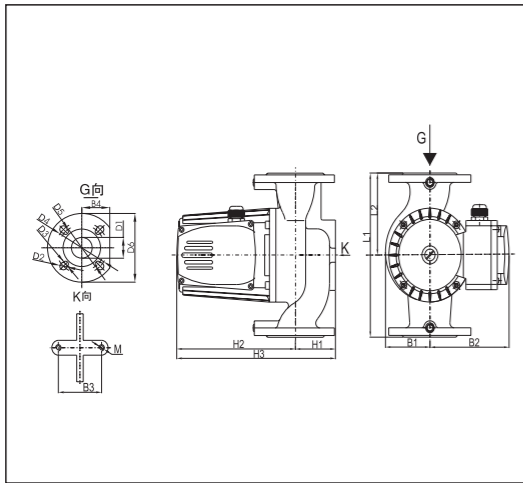


GPS40-16SF



GPS50-12SF GPS50-16SF GPS50-20SF

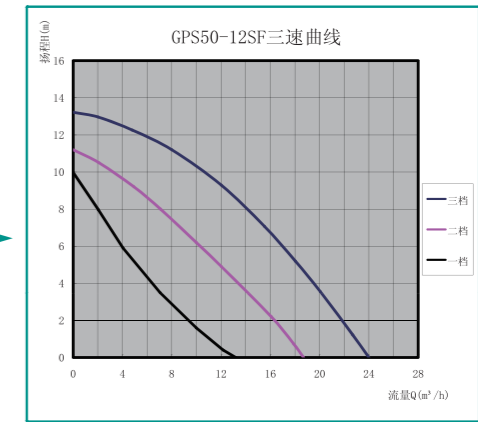
产品技术数据 Technical Data



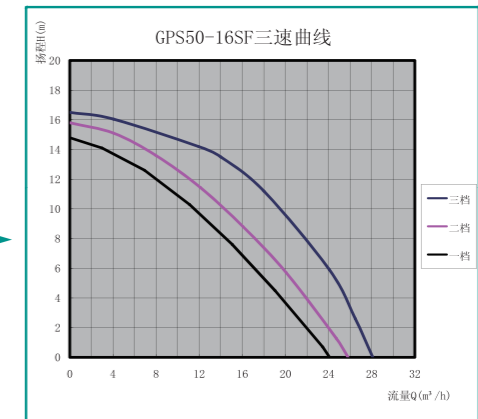
产品型号 Model		GPS50-12SF	GPS50-16SF	GPS50-20SF
安装尺寸 Dimension	H1	72	72	72
	H2	232	257	257
	H3	304	329	329
	L1	280	280	280
	L2	140	140	140
	B1	88	88	88
	B2	154	154	154
	B3	90	90	90
	B4	75	75	75
	D1	50	50	50
	D2	17.5	17.5	17.5
	D3	13.5	13.5	13.5
	D4	125	125	125
	D5	110	110	110
D6	165	165	165	
M	M10	M10	M10	
重量 Weight(Kg)	净重 N.W.	17.5	19.6	19.8
	毛重 G.W.	22.4	24.4	24.6
体积 Volume(m <sup>3</sup> )		0.04	0.04	0.04
配用接头/法兰 Connection/Flange		DN50	DN50	DN50
包装箱尺寸 Package size (mm x mm x mm)		393 x 338 x 293 (最大外型尺寸)	393 x 338 x 293 (最大外型尺寸)	393 x 338 x 293 (最大外型尺寸)



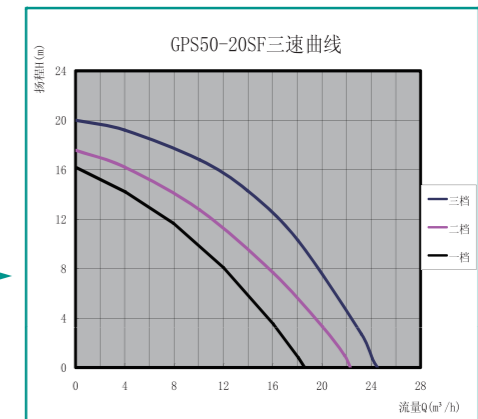
GPS50-12SF



GPS50-16SF



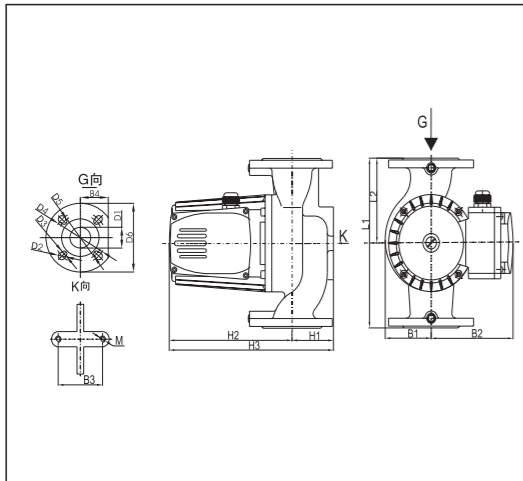
GPS50-20SF





GPS65-5SF GPS65-8SF GPS65-10SF GPS65-12SF

■ 产品技术数据 Technical Data



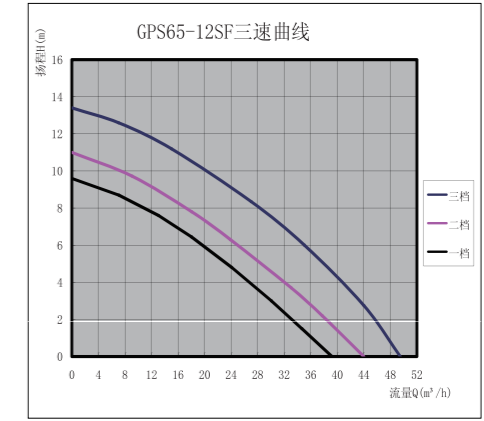
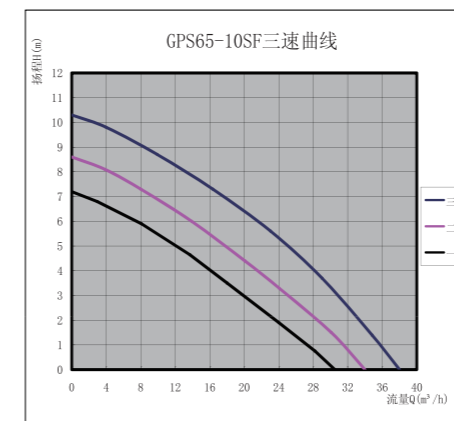
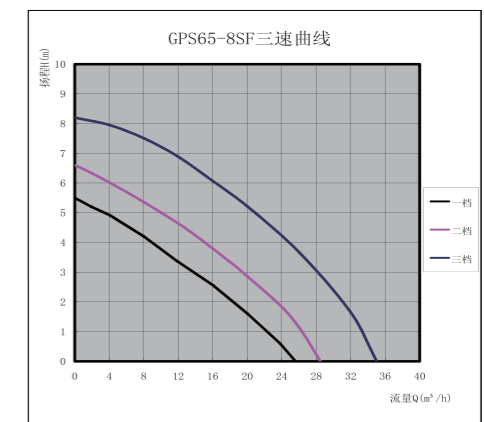
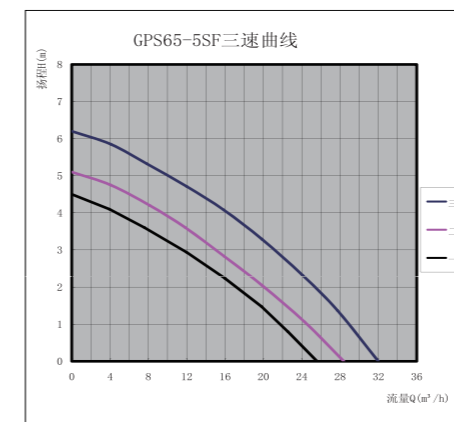
产品型号 Model		GPS65-5SF	GPS65-8SF	GPS65-10SF	GPS65-12SF
安装尺寸 Dimension	H1	78	78	78	78
	H2	232	232	232	257
	H3	310	310	310	335
	L1	280	280	300	300
	L2	140	140	150	150
	B1	88	88	93	93
	B2	154	154	154	154
	B3	90	90	90	90
	B4	76	76	76	76
	D1	65	65	65	65
	D2	17.5	17.5	17.5	17.5
	D3	13.5	13.5	13.5	13.5
	D4	145	145	145	145
	D5	130	130	130	130
D6	180	180	185	185	
M	M10	M10	M10	M10	
重量 Weight(Kg)	净重 N.W.	18	18.2	19.7	21.5
	毛重 G.W.	21.5	21.7	24.7	26.5
体积 Volume(m <sup>3</sup> )	0.04	0.04	0.042	0.042	
配用接头/法兰 Connection/Flange	DN65	DN65	DN65	DN65	
包装箱尺寸 Package size(mm×mm×mm)	393×338×293 (最大外型尺寸)	393×338×293 (最大外型尺寸)	393×338×293 (最大外型尺寸)	393×338×293 (最大外型尺寸)	



GPS65-5SF



GPS65-8SF



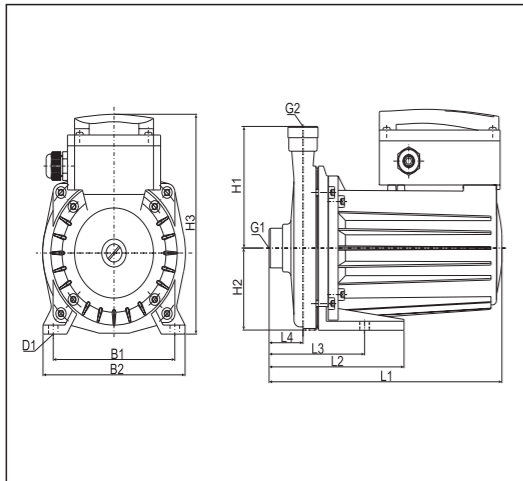
GPS65-10SF



GPS65-12SF

GPS20-20SZ GPS20-24SZ GPS20-30SZ

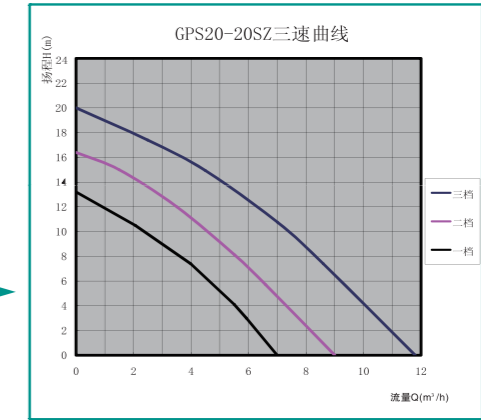
产品技术数据 Technical Data



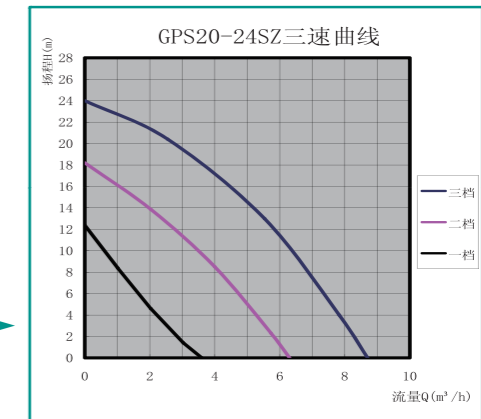
产品型号 Model		GPS20-20SZ	GPS20-24SZ	GPS20-30SZ
安装尺寸 Dimension	H1	140	140	140
	H2	91	91	91
	H3	244	244	244
	L1	272	272	295
	L2	171	171	171
	L3	121	121	121
	L4	43	43	43
	B1	154	154	154
	B2	180	180	180
	D1	12	12	12
	D1内	1"	1"	1"
	D2内	3/4"	3/4"	3/4"
重量 Weight(Kg)	净重 N.W.	13.7	14.7	16.7
	毛重 G.W.	15.3	16.3	18.3
体积 Volume(m³)		0.026	0.026	0.026
包装箱尺寸 Package size (mm×mm×mm)		358×238×298 (最大外型尺寸)	358×238×298 (最大外型尺寸)	358×238×298 (最大外型尺寸)



GPS20-20SZ



GPS20-24SZ



GPS20-30SZ

